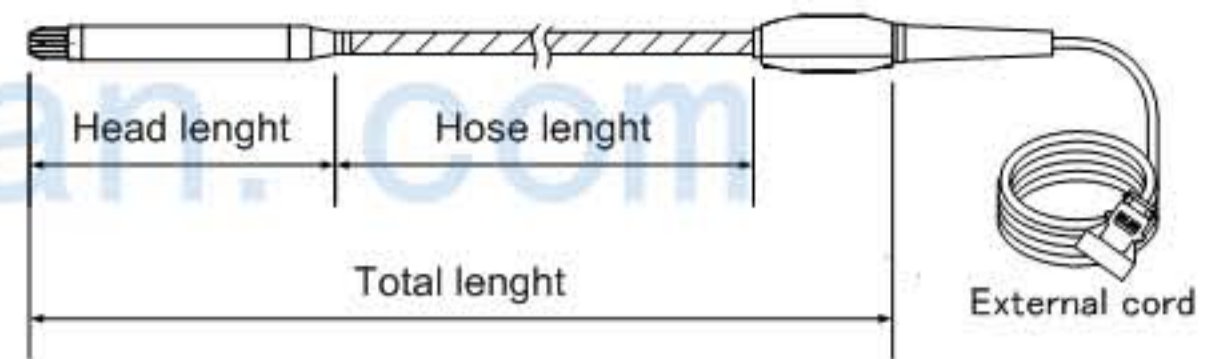




HBM60ZX

dimensional drawing



This Inner Vibrator gives more powerful vibration transmission

Model	Code Number
HBM30ZX 6m	000270000
HBM40ZX 6m	000483000
HBM50ZX 6m	000489000
HBM60ZX 6m	000280000

* The 15meter external cord is equipped with all the Inner Vibrator



dimensional chart(mm)

Model	Total length (mm)	Head length (dia X length) (mm)	Hose length (dia X length) (mm)
HBM30ZX	6,567	31 X 376	28 X 6000
HBM40ZX	6,502	43 X 340	33 X 6000
HBM50ZX	6,552	52 X 390	36 X 6000
HBM60ZX	6,577	61 X 415	36 X 6000

dimensional chart(inch)

Model	Total length (ft)	Head length (dia X length) (in)	Hose length (dia X length) (in X ft)
HBM30ZX	21'6"	1.2 X 14.8	1.1 X 19'8"
HBM40ZX	21'4"	1.7 X 13.4	1.3 X 19'8"
HBM50ZX	21'6"	2.1 X 15.4	1.4 X 19'8"
HBM60ZX	21'7"	2.4 X 16.3	1.4 X 19'8"

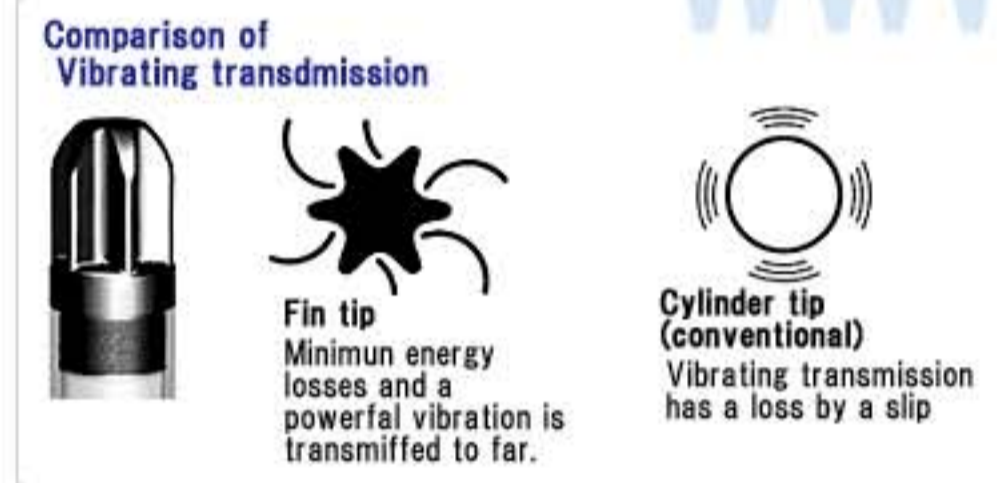
Feature Specification Size / Installation

The Internal Concrete Vibrator can consolidate stronger and longer durability in concrete by giving powerful vibration, removing entrapped air, increasing concrete density and distributing aggregate equally. The specially designed top fin configuration enabled more powerful vibration transmission.

Increased consolidation capacity and widened consolidation area.

The advantages of a specially designed six fins are as follows.

- 1)Prevented the vibration energy loss by slipping
- 2)Widened the consolidation area.
- 3)Transmitted vibration energy more efficiently than a traditional round shape.
- 4)Reduced the scattering of the concrete splash when placing.



Special grease lubricating bearing

By adoption of a special grease lubricous bearing, generation of heat by rotation resistance and the breakage rate by vibration were reduced.



It is an green-product!

HBM is an green-product. Especially a power cable is so called eco-cable which uses an environment-friendly ingredient. Moreover, the power cable currently used for HBM has succeeded in 10% of weight saving. (The conventional ratio of our company) * An environment-friendly ingredient means, EXEN's HBM is free from human-hazardous halogen elements like chlorine nor lead components which are the origin of generating hazardous substance when incinerating and reclaimating the products. EXEN's HBM's ingredient is easy and friendly to be recycled.



Easy maintenance

Since the rotor and the vibrating shaft are unified, the maintenance has become easier. The bearing is grease lubricating, which makes operators free from supervising oil seal. Newly equipped plug is "Super tough Pin" which has been developed to decrease the burning trouble. A Super tough Pin keeps elasticity semipermanent durability and free from the failure contact of a plug part.

The stable mechanical vibration

By adopting three-phase-alternating-current motor,we obtained high output, smoother rotation and stable and powerful mechanical vibration. (A single-phase-alternating-current motor is a low power output, and rotation unevenness tends to occur)

Improved durability

To obtain longer durability and antiwear quality we performed heat-treatment to the body.

Vibration Reduction of a hand held portion

We adjusted the vibrating balance of HBM for easy and friendly operation and designed to decrease the mechanical vibration at hand-held portion.

Inner vibrator (HBM) specification [Hose 6m] (mm)

Model	Output (W)	Voltage (V)	Current (A)	Frequency (Hz)
HBM30ZX	130	48	3.5	200/240
HBM40ZX	250		5.5	
HBM50ZX	400		9.0	
HBM60ZX	500		13.0	

Model	Total length (mm)	Head length (dia X length) (mm)	Hose length (dia X length) (mm)	Weight (kg)
HBM30ZX	6,567	31 X 376	28 X 6,000	9.6
HBM40ZX	6,502	43 X 340	33 X 6,000	11.8
HBM50ZX	6,552	52 X 390	36 X 6,000	15.6
HBM60ZX	6,577	61 X 415	36 X 6,000	17.5

* An external cord is also included in weight. (30ZX-40ZX is 3.8kg and 50ZX-60ZX is 4.9kg)
* Refer to [Table shows how many high frequency vibrator can be used] for the power source of a vibrator.

Inner vibrator (HBM) specification [Hose 6m] (inch)

Model	Output (W)	Voltage (V)	Current (A)	Frequency (Hz)
HBM30ZX	130	48	3.5	200/240
HBM40ZX	250		5.5	
HBM50ZX	400		9.0	
HBM60ZX	500		13.0	

Model	Total length (ft)	Head length (dia X length) (in)	Hose length (dia X length) (in X ft)	Weight (lb)
HBM30ZX	21'6"	1.2 X 14.8	1.1 X 19'8"	21.2
HBM40ZX	21'4"	1.7 X 13.4	1.3 X 19'8"	26.0
HBM50ZX	21'6"	2.1 X 15.4	1.4 X 19'8"	34.4
HBM60ZX	21'7"	2.4 X 16.3	1.4 X 19'8"	38.6

* An external cord is also included in weight. (30ZX-40ZX is 3.8kg and 50ZX-60ZX is 4.9kg)
* Refer to [Table shows how many high frequency vibrator can be used] for the power source of a vibrator.